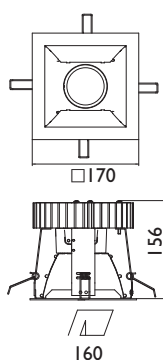
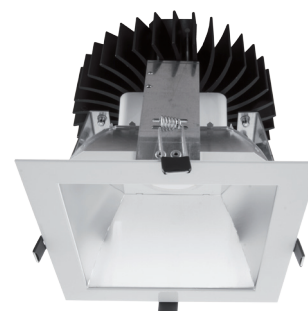


# DLK 170 FORTIMO LED DLM



Recessed LED luminaire. Body is made of steel and aluminium and it is available in all RAL colours. Light source - Philips, Osram or Tridonic LED module. Standard EVG ballast, DALI or Touch Dali version on request. Passive cooling, optional IP44 diffuser: High quality, energy efficient white LED light with CRI 80. Perfect replacement for CFL downlights in offices, public buildings, hotel lobbies and receptions, retail.



Index no.	Lumen output	Wattage	Colour temp.	Colour rendering index	Lifetime	Weight
With integrated AC driver						
004523.1100/830	1100 lm	12 W	3000 K	Ra > 80	50.000 h	2,10 kg
004523.1100/840	1100 lm	12 W	4000 K	Ra > 80	50.000 h	2,10 kg
004523.2000/830	2000 lm	28 W	3000 K	Ra > 80	50.000 h	2,10 kg
004523.2000/840	2000 lm	26 W	4000 K	Ra > 80	50.000 h	2,10 kg
004523.3000/830	3000 lm	43 W	3000 K	Ra > 80	50.000 h	2,10 kg
004523.3000/840	3000 lm	39 W	4000 K	Ra > 80	50.000 h	2,10 kg
With AC/DC driver						
005264.1100/830	1100 lm	12 W	3000 K	Ra > 80	50.000 h	2,30 kg
005264.1100/840	1100 lm	12 W	4000 K	Ra > 80	50.000 h	2,30 kg
005264.2000/830	2000 lm	20 W	3000 K	Ra > 80	50.000 h	2,30 kg
005264.2000/840	2000 lm	20 W	4000 K	Ra > 80	50.000 h	2,30 kg
005264.3000/830	3000 lm	30 W	3000 K	Ra > 80	50.000 h	2,30 kg
005264.3000/840	3000 lm	30 W	4000 K	Ra > 80	50.000 h	2,30 kg

\* Different lumen output or wattage available on request.

\* System power consumption (LED module & driver) depends on components used. Contact us for detailed information.

