

GOT 160 CDM-TD

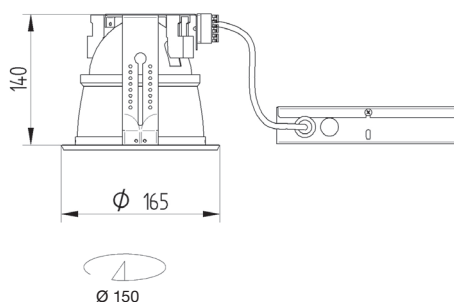


Recessed downlight for CDM-TD lamp. Body (standard zinc, painted black on request) and ring (standard white, other colours on request) are made of steel. Reflector is made of aluminium (sandblasted surface).



Easy installation - without tools.

Mounting brackets.



Index no.	Lamp	Weight	Socket
205.160.70V	VVG, 1x70W CDM-TD	3,40 kg	Rx7S
205.160.70E	EVG, 1x70W CDM-TD	2,55 kg	Rx7S

IP44

230 V
50 Hz



CE

